

Shed & Storage Series

Shed-in-a-Box® 10' x 10' x 8' - Gray



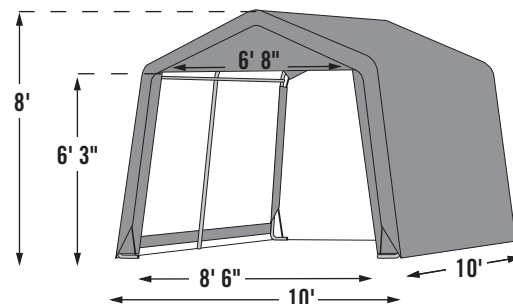
Big Features. Best Value.

- The 10' x 10' x 8' Shed-in-a-Box® is designed for easy set-up, portability and value. Built with a high grade steel, every frame tube and connector goes through a proprietary 13 step Rhino Shield surface preparation process.
- 1-3/8" all steel frame with compact 3-rib design, bonded with Dupont™ thermoset baked on powder-coated finish prevents chipping, peeling, rust and corrosion.
- **Patent Pending ShelterLock™** stabilizers ensure rock solid stability. Delivers a stable, more durable shelter.
- Triple-layer, heat bonded, rip-stop, waterproof, enhanced weave polyethylene cover. UV-treated inside and out with added fade blockers, anti-aging, anti-fungal agents resulting in a cover that withstands the elements.
- High profile white interior creates enhanced illumination.
- Rugged Ratchet Tite™ Tensioning System provides simple installation while keeping cover tight to frame.



Great For: Motorcycles, ATVs, Lawn/Garden, Tractors, Snowmobiles, Bulk Storage

- One full color graphic retail package.



ShelterLogic®

We've Got You Covered.™
North America's #1 Shelter Manufacturer.

Model #70333

Package Includes:

- (1) 10' x 10' x 8' 1-3/8" All steel frame
- (1) Gray fitted cover
- (1) Double zippered front door
- (1) Solid rear door panel
- (6) ShelterLock™ Stabilizing Blocks
- (4) 15" auger anchors
- Steel foot plates
- Easy step-by-step instructions

Packaging Specifications:

- Pallet Qty: 10
- Container qty: 484
- Total box weight: 89.13 lbs.
- Box dimensions: 43.7 x 20.28 x 7.28 in.

