

## 6' X 8' X 6'6" GREENHOUSE-IN-A-BOX™

## Model #70602

### Package Includes:

- (1) 6' x 8' x 6'6" All Steel Frame
- (1) Translucent polyethylene cover
- (1) Fitted solid rear door panel
- (1) Double zippered front door panel
- (8) Ratchet tie-downs
- Complete hardware kit
- 15" Auger anchors
- Easy step-by-step instructions



### EASY UP, READY TO GROW COMPACT BACKYARD GREENHOUSE

A compact personal backyard greenhouse, the 6' x 8' x 6'6" GrowIT delivers quality construction and great value.



**Sturdy 1-3/8" All steel frame**, bonded with Dupont™ thermoset baked-on, powder-coated finish prevents chipping, peeling, rust and corrosion.



**Clearview Triple-layer, heat bonded rip-stop translucent cover** is waterproof and UV treated inside and out. Clearview cover provides enhanced illumination designed specifically for plant growth and protection.



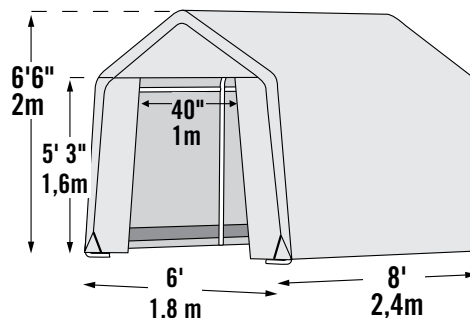
**Patent Pending ShelterLock™** stabilizers ensure rock solid stability. Delivers a stable, more durable shelter.



**Easy Slide Cross Rail™** system locks down and squares up frame.



**Ratchet Tite™** tensioning for solid cover anchoring.



### Packaging Specifications:

- Pallet Qty: 15
- Container qty: 615
- Total box weight: 63 lbs. (28,6 kg)
- Box dimensions:  
38 x 20.5 x 6.75 in.  
(96,5 x 52,1 x 17,2 cm)

