

# Pro Series Pop-Up Canopy Truss Pop-Up 10 x 20 ft. / 3 x 6,1 m



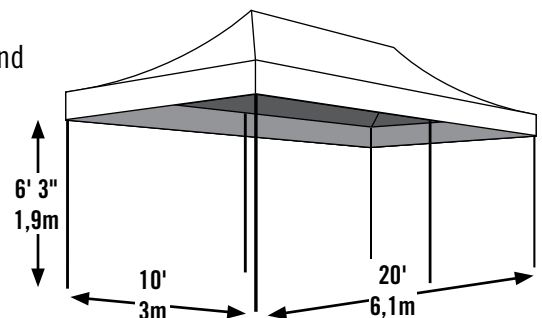
## ALWAYS A WINNER! 10 X 20 FT. / 3 X 6,1 M CHECKERED FLAG

- The biggest pop-up on the market. The new Pro Series 10 x 20 ft. / 3 x 6,1 m Winners Circle Truss Top Pop-Up combines expansive truss design, quality construction and show room good looks in one great to go unit.
- Sturdy beam welded tube steel design with high performance synthetic joint components is bonded with Dupont™ thermoset baked on powder coat. Prevents chipping, peeling, rust and corrosion.
- Innovative triple truss design adds strength and stability.
- Wide based foot pads on every leg ensure a rock solid base and easy access to secure anchor points.



- Polyurethane coat lining is double stitched and sealed for optimal water resistance and drip-free seams.
- Four point height adjustable legs.
- Polyester fabric cover is UV treated inside and out with added fade blockers, anti-aging, anti-fungal agents, resulting in a cover that withstands the elements.
- Wheeled storage bag allows for convenient transport and storage of canopy.

**Great For:** vendor tents, classic car shows, decks, patios, backyard events, or sporting or special events.



**We've Got You Covered.™**  
North America's #1 Shelter Manufacturer.

## Model #22533

### Package Includes:

- (1) 10 x 20 ft. / 3 x 6,1m white collapsible steel frame
- (1) One-piece checkered cover with full valance
- (4) Temporary spike anchors
- Wheeled storage bag
- Easy step-by-step instructions

### Packaging Specifications:

- Container qty: 340
- Total weight: 105 lbs. 47,5 kg
- Box dimensions:  
65 x 16.1 x 9.5 in.  
165 x 41 x 24 cm

